

SFP+ 10G DAC 2M ActiveSFP+ 10G DAC Active Copper Cable

SFP+-CA24-A2M-T



(For Cisco, HP, Aruba, Juniper, PaloAlto, Fortigate and others brand compatible)



Overview

The SFP+ active cable assemblies are high performance, cost effective I/O solutions for 10Gb Ethernet and 10G Fiber Channel applications. SFP+ copper modules allow hardware manufactures to achieve high port density, configurability and utilization at a very low cast and reduced power budget.

The high speed cable assemblies meet and exceed Gigabit Ethernet and Fiber Channel industry standard requirements for performance and reliability.

Features

- ◆ Support for multi-gigabit data rates up to 10 Gb/s
- ◆ Data rates backward compatible to 1 Gb/s
- ◆ Hot-pluggable SFP 20PIN footprint
- ◆ Improved Pluggable Form Factor(IPF) compliant for enhanced EMI/EMC performance
- ◆ Low Power Consumption < 0.2W
- ◆ Power Supply :+3.3V
- ◆ Compatible to SFP+ MSA
- ◆ Compatible to SFF-8431,SFF8432
- ◆ Temperature Range: 0~ 70 °C
- ◆ RoHS Compatible

Applications

- ◆ High capacity I/O in Storage Area Networks, Network Attached Storage, and Storage Servers
- ◆ Switched fabric I/O such as ultra-high bandwidth switches and routers
- ◆ Data center cabling infrastructure
- ◆ High density connection between network equipment

Ordering Information

Part Number	Product Description
SFP+-CA-A1M-T	SFP+ 10G Active 1MSFP+ 10G DAC 1M10GDAC1mSFP+ to SFP+0~70°C30AWG
SFP+-CA-A2M-T	SFP+ 10G Active 2MSFP+ 10G DAC 2M10GDAC2mSFP+ to SFP+0~70°C30AWG
SFP+-CA-A3M-T	SFP+ 10G Active 3MSFP+ 10G DAC 3M10GDAC3mSFP+ to SFP+0~70°C30AWG
SFP+-CA-A5M-T	SFP+ 10G Active 5MSFP+ 10G DAC 5M10GDAC5mSFP+ to SFP+0~70°C28AWG
SFP+-CA-A7M-T	SFP+ 10G Active 7MSFP+ 10G DAC 7M10GDAC7mSFP+ to SFP+0~70°C28AWG
SFP+-CA-A10M-T	SFP+ 10G Active 10MSFP+ 10G DAC 10M10GDAC10mSFP+ to SFP+0~70°C28AWG
SFP+-CA-A12M-T	SFP+ 10G Active 12MSFP+ 10G DAC 12M10GDAC12mSFP+ to SFP+0~70°C24AWG
SFP+-CA-A15M-T	SFP+ 10G Active 15MSFP+ 10G DAC 15M10GDAC15mSFP+ to SFP+0~70°C24AWG

Datasheet

SFP+-CA24-A1M-T	SFP+ 10G DAC 1M ActiveSFP+ 10G DAC 1M10GDAC1mSFP+ to SFP+0~70°C24AWG
SFP+-CA24-A2M-T	SFP+ 10G DAC 2M ActiveSFP+ 10G DAC 2M10GDAC2mSFP+ to SFP+0~70°C24AWG
SFP+-CA24-A3M-T	SFP+ 10G DAC 3M ActiveSFP+ 10G DAC 3M10GDAC3mSFP+ to SFP+0~70°C24AWG
SFP+-CA-A4M-T	SFP+ 10G DAC 4M ActiveSFP+ 10G DAC 4M10GDAC4mSFP+ to SFP+0~70°C24AWG
SFP+-CA24-A5M-T	SFP+ 10G DAC 5M ActiveSFP+ 10G DAC 5M10GDAC5mSFP+ to SFP+0~70°C24AWG
SFP+-CA-A6M-T	SFP+ 10G DAC 6M ActiveSFP+ 10G DAC 6M10GDAC6mSFP+ to SFP+0~70°C24AWG
SFP+-CA24-A7M-T	SFP+ 10G DAC 7M ActiveSFP+ 10G DAC 7M10GDAC7mSFP+ to SFP+0~70°C24AWG
SFP+-CA-A8M-T	SFP+ 10G DAC 8M ActiveSFP+ 10G DAC 8M10GDAC8mSFP+ to SFP+0~70°C24AWG
SFP+-CA-A9M-T	SFP+ 10G DAC 9M ActiveSFP+ 10G DAC 9M10GDAC9mSFP+ to SFP+0~70°C24AWG
SFP+-CA24-A10M-T	SFP+ 10G DAC 10M ActiveSFP+ 10G DAC 10M10GDAC10mSFP+ to SFP+0~70°C24AWG
SFP+-CA24-A12M-T	SFP+ 10G DAC 12M ActiveSFP+ 10G DAC 12M10GDAC12mSFP+ to SFP+0~70°C24AWG
SFP+-CA24-A15M-T	SFP+ 10G DAC 15M ActiveSFP+ 10G DAC 15M10GDAC15mSFP+ to SFP+0~70°C24AWG

Recommended Operating Conditions

Parameter	Symbol	Min	Typical	Max	Unit
Storage Ambient Temperature		-40		+85	°C
Operating Case Temperature	Tc	0		+70	°C
Power Supply Voltage	V _{CC3}	3.14	3.3	3.47	V
Power Dissipation	PD			0.2	W

Systems

Performance	Media	Operating parameters
	Hot-pluggable, industry-standard Small	
10Gb/s line speed, full duplex Bit error rate: better than 10E-12	Form-Factor Pluggable(SFP+) copper cable, available max 15m	Supply voltage: 3.3V Power consumption(per end): max 0.2W

Pin Descriptions

Pin	Logic	Symbol	Name/Description	Notes
1		VeeT	Transmitter Ground	
2	LV-TTL-O	TX_Fault	N/A	1
3	LV-TTL-I	TX_DIS	Transmitter Disable	2
4	LV-TTL-I/O	SDA	Tow Wire Serial Data	
5	LV-TTL-I	SCL	Tow Wire Serial Clock	
6		MOD_DEF0	Module present, connect to VeeT	
7	LV-TTL-I	RS0	N/A	1
8	LV-TTL-O	LOS	LOS of Signal	2
9	LV-TTL-I	RS1	N/A	1
10		VeeR	Reciever Ground	
11		VeeR	Reciever Ground	

Datasheet

12	CML-O	RD-	Receiver Data Inverted
13	CML-O	RD+	Receiver Data Non-Inverted
14		VeeR	Receiver Ground
15		VccR	Receiver Supply 3.3V
16		VccT	Transmitter Supply 3.3V
17		VeeT	Transmitter Ground
18	CML-I	TD+	Transmitter Data Non-Inverted
19	CML_I	TD-	Transmitter Data Inverted
20		VeeT	Transmitter Ground

Notes:

1. Signals not supported in SFP+ Copper pulled-down to VeeT with 30K ohms resistor
2. Passive cable assemblies do not support LOS and TX_DIS

Mechanical Dimensions

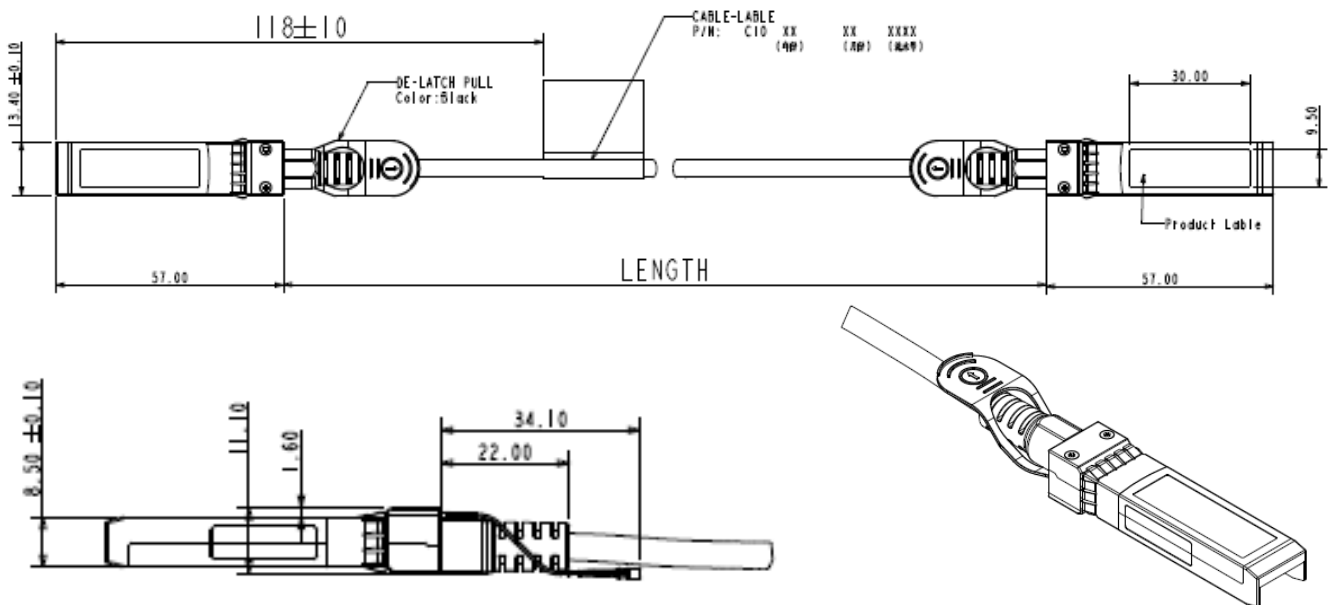


Figure1. Mechanical Specifications

References

1. Improved Pluggable Form Factor(IPF) compliant for enhanced EMI/EMC performance
2. Compatible to SFP+ MSA
3. Compatible to SFF-8431,SFF-8432

ITK Connecting Co.,Ltd.

ITK Connecting reserves the right to make changes to or discontinue any optical link product or service identified in this document without notice in order to improve design and/or performance. If you have any question regarding this specification sheet, please contact our sales representative or send email to sales@itk.co.th